



Disassembly of Waste Electrical and Electronic Equipment (WEEE) Manual

EU Waste Electronic and Electrical Equipment Directive require producers to provide information of the different electronic and electrical materials and components found in their products at its end-of-life, and disassembly references to treatment and recycling facilities.

The disassembly information for this product has been prepared for use by a recognized treatment or recycling facility and is not intended to be used by others.

1. Product information
2. Materials and components list for selective treatment
3. Disassembly tools
4. Disassembly references

The following information is intended only for the use of treatment and recycling facilities.

1. Product information

Model name(s)—Indicate all model name(s) within the product family

Model name
Lexmark CS33x, Cxx24 series – C3224dw, CS331dw, C3326dw
Lexmark CS43x, Cxx26 series – CS431dw, C2326, C3426dw, CS439dn
Lexmark CX331, CX431, XC2326, MC3x2x series – MC3224adwe, MC3224i, CX331adwe, MC3326adwe, MC3326i, CX431adw, XC2326, MC3426adw, MC3426i
Lexmark MC3224 Non-fax series – MC3224dwe

* Add rows as needed

2. Disassembly tools

Item
#2 Phillips screwdriver, magnetic
Wire cutter
E-clip puller or small flat-head screwdriver
Standard slotted head screwdriver

3. Materials and components list for selective treatment

Items	Quantity	Notes
Polychlorinated biphenyls (PCB) containing capacitors	0	N/A
Mercury containing components, such as switches or backlighting lamps	0	N/A
Batteries	1	Attached in Controller cards
Printed circuit boards greater than 10 cm ²	multiple	9 – C3224dw, CS331dw, C3326dw, C3426dw, CS439dn 10 – MC3224dwe, CS431dw, C2326 11 – MC3224adwe, MC3224i, CX331adwe, MC3326adwe, MC3326i, MC3426adw, MC3426i 12 – CX431adw, XC2326 For details, see Annex B
Toner cartridges, liquid and pasty, as well as colour toner	5	4 – Imaging unit 1 – Waste toner bottle
Plastic containing brominated flame retardants	multiple	17 – C3224dw, CS331dw, C3326dw, CS431dw, C2326, C3426dw, CS439dn 18 – MC3224dwe, MC3224adwe, MC3224i, CX331adwe, MC3326adwe, MC3326i, CX431adw, XC2326, MC3426adw, MC3426i For details, See Annex A
Asbestos waste and components which contain asbestos	0	N/A
Cathode ray tubes	0	N/A
Chlorofluorocarbons (CFC), Hydrochlorofluorocarbons (HCFC) or Hydrofluorocarbons (HFC), Hydrocarbons (HC)	0	N/A
Gas discharge lamps	0	N/A
Liquid Crystal Display (LCD) greater than 100 cm ² and those back-lighted with Gas discharge lamps	0	N/A
External electrical cables	1	Power cable located on the back lower left quadrant
Components containing refractory fibres	0	N/A
Components containing radioactive substances	0	N/A
Electrolyte capacitors containing substances of concern (<i>capacitors with height > 25 mm, diameter > 25 mm or proportionately similar volume</i>)	0	Capacitor located on Power Supply

4. Disassembly references

4.1. Removal procedure(s)

WEEE materials and components removal procedures are available upon request.
Contact: recycling@lexmark.com

4.2. Graphical illustration of material's and component's location

**C3xxx, CS4xx, MC3xxx, CX3xx and CX4xx Series
Location**

1

LCD >100 cm² are identified with cyan-filled boxes

2

PCBs >10 cm² are identified with green-filled boxes

3

Printer components containing Brominated flame retardants are identified with orange-filled boxes

**C3xxx, CS4xx, MC3xxx, CX3xx and CX4xx Series
Location**

Supplies

C3224, C3326, CS331, CS431, C3426 Toner Cartridge



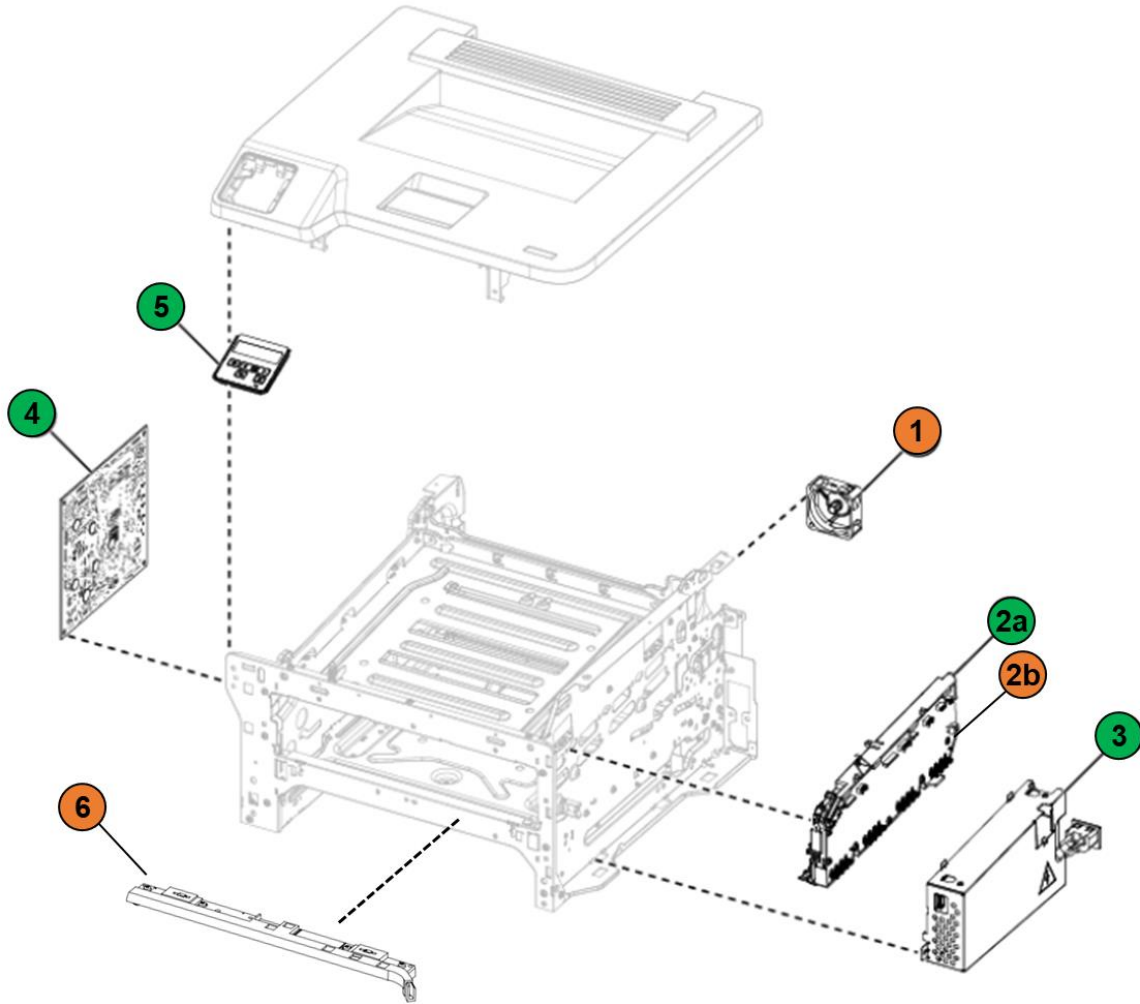
MC3224, MC3326, MC3426, CX331, CX431, XC2326, MC3326i, MC3426i Toner Cartridge



**C3xxx, CS4xx, MC3xxx, CX3xx and CX4xx Series
Location**

Printed Circuit Boards >10cm² and Brominated Plastic Components

CS33x, Cxx24 Electronics

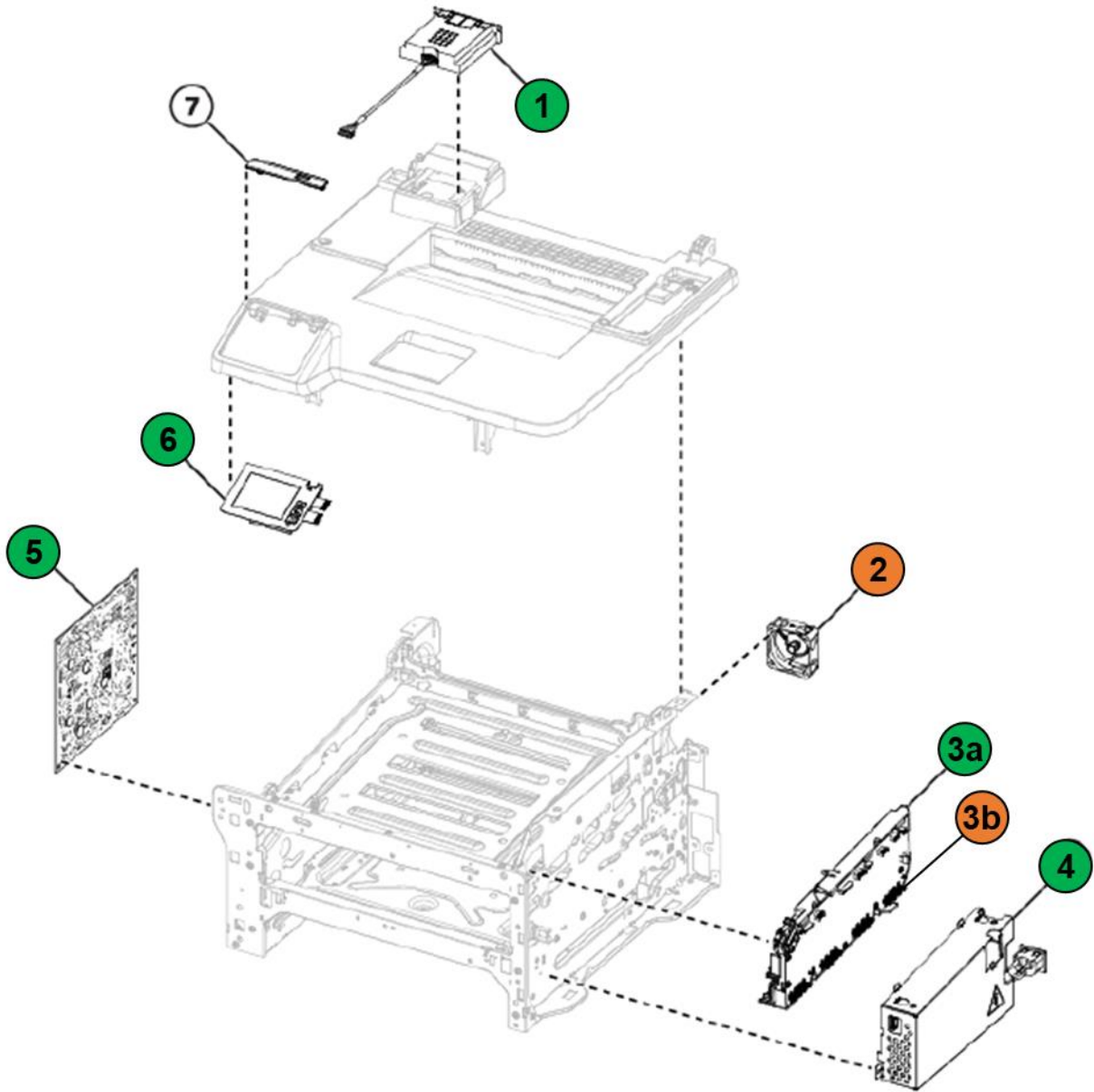


Index	Description
1	Exhaust fan
2a	High voltage power supply
2b	Front cover interlock switch within HVPS assembly
3	Low voltage power supply
4	Controller board
5	Control panel board
6	TPS sensor asm

**C3xxx, CS4xx, MC3xxx, CX3xx and CX4xx Series
Location**

Printed Circuit Boards >10cm² and Brominated Plastic Components

CS/CX 43x, Cxx26, CX331, XC2326, MC3x2x Electronics

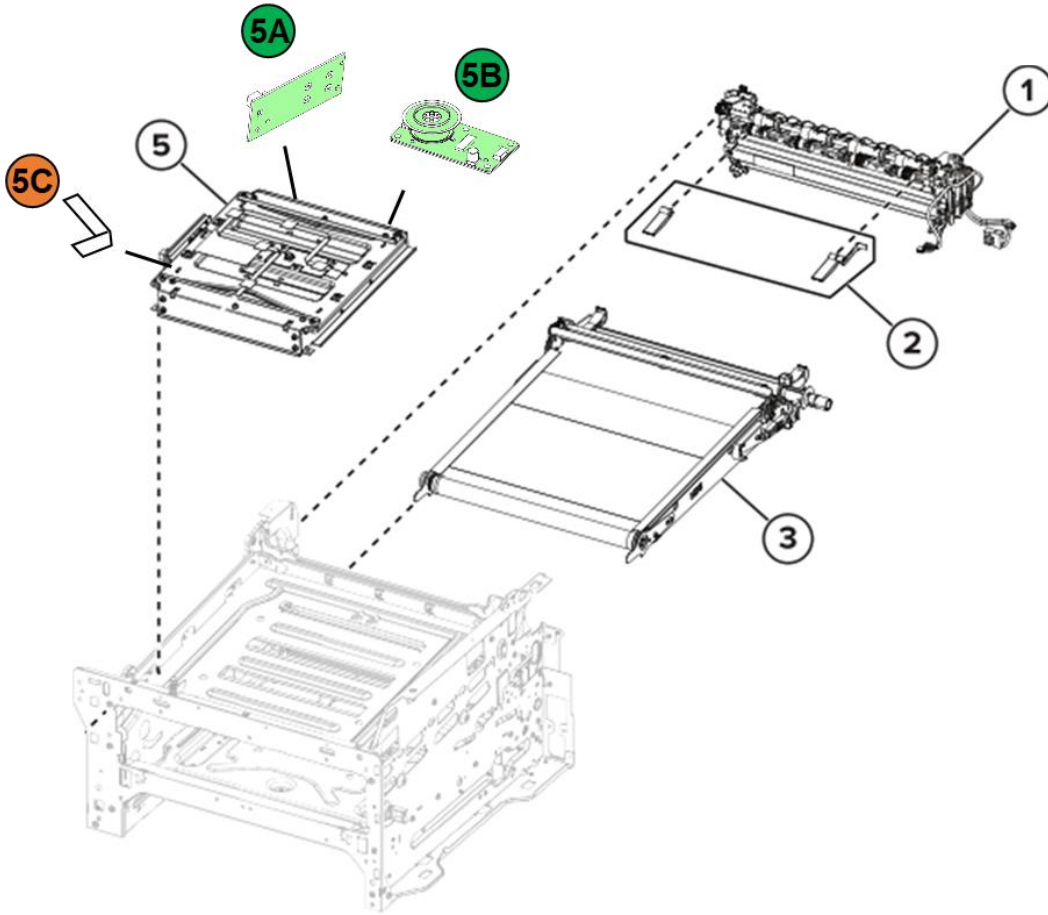


Index	Description
1	Fax card
2	Exhaust fan
3a	High voltage power supply
3b	Front cover interlock switch within HVPS assembly
4	Low voltage power supply
5	Controller board
6	Control panel board

**C3xxx, CS4xx, MC3xxx, CX3xx and CX4xx Series
Location**

Printed Circuit Boards >10cm² and Brominated Plastic Components

EP Components

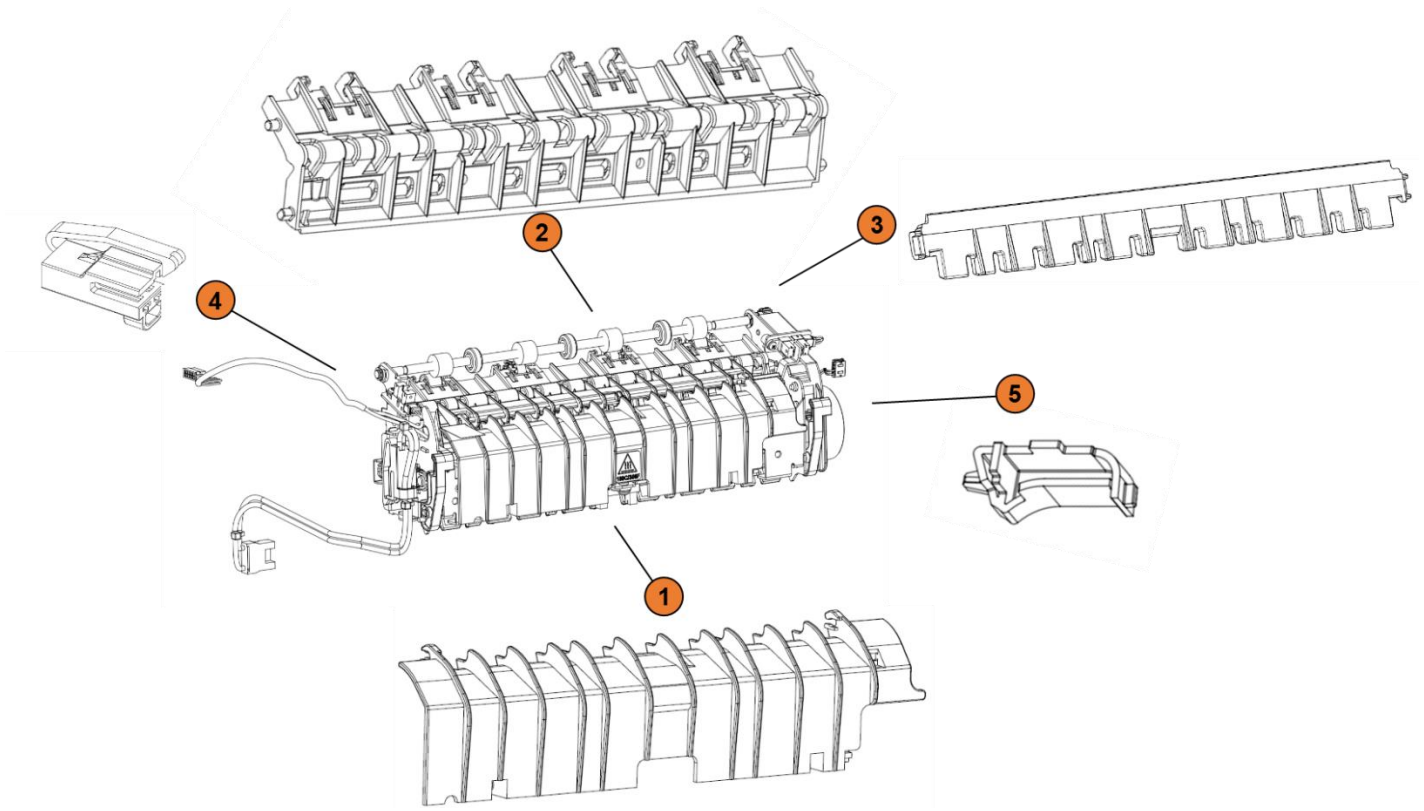


Index	Description
1	Fuser assembly with brominated parts (see next page)
5A	Printhead card
5B	Printhead motor card
5C	Printhead brominated tape

**C3xxx, CS4xx, MC3xxx, CX3xx and CX4xx Series
Location**

Printed Circuit Boards >10cm2 and Brominated Plastic Components

Fuser components

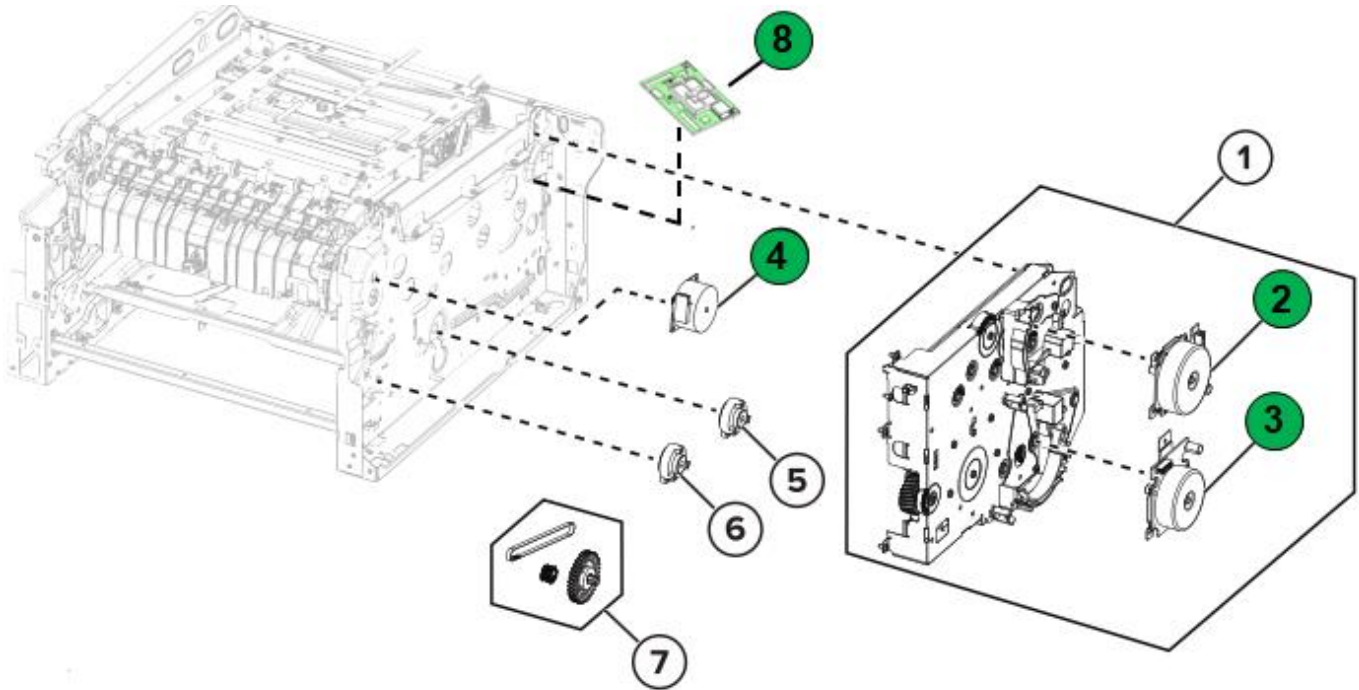


Index	Description
1	Guide-Exit BUR Side
2	Guide-Exit Belt Side
3	Guide-Entry
4	Housing-AC Connector
5	Shield Heater AC

C3xxx, CS4xx, MC3xxx, CX3xx and CX4xx Series
Location

Printed Circuit Boards >10cm² and Brominated Plastic Components

Main drive

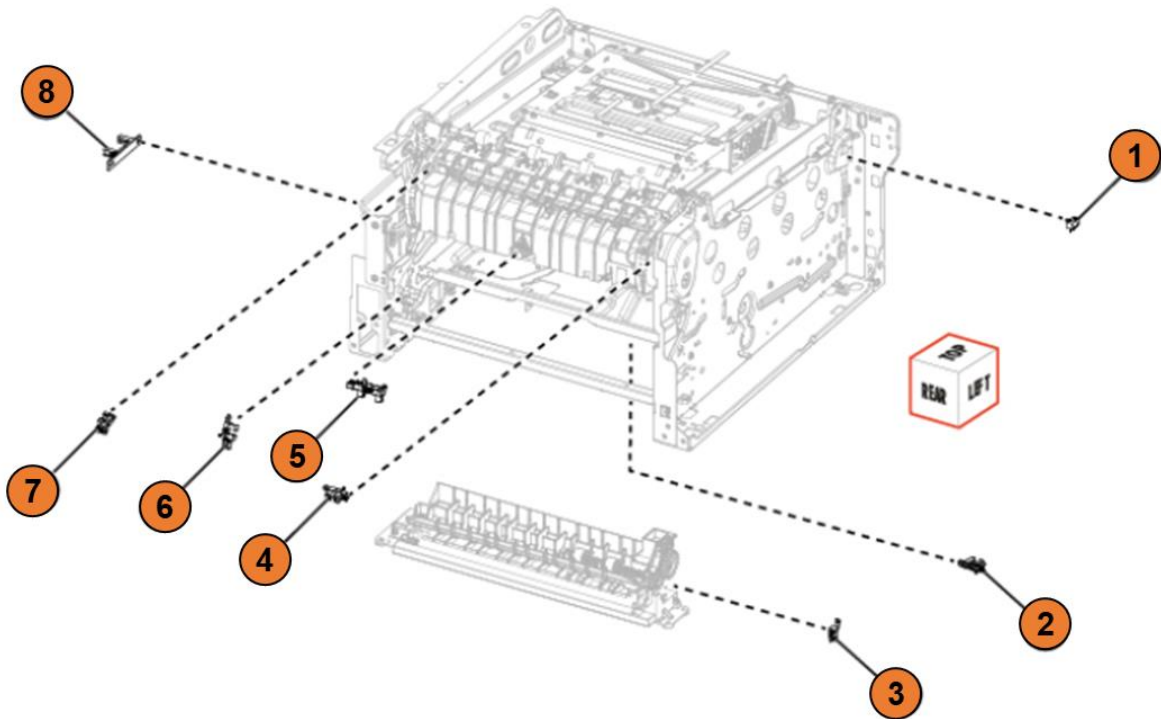


Index	Description
2,3	Motor board within the Main drive assembly
4	Fuser motor board within the assembly
8	CS431dw, C2326, CX431adw, XC2326 Wireless network card

C3xxx, CS4xx, MC3xxx, CX3xx and CX4xx Series
Location

Brominated Plastic Components

Sensors

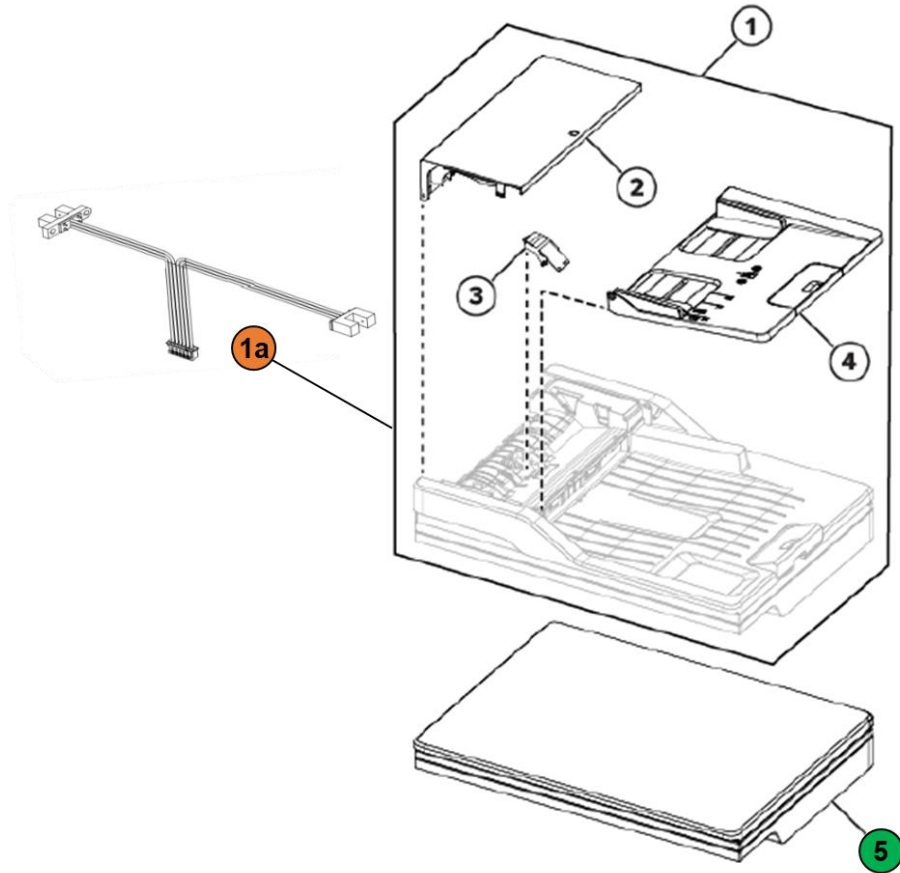


Index	Description
1	Printhead interlock switch
2	Sensor (manual feeder)
3	Tray interlock switch
4	Sensor (fuser exit)
5	Sensor (fuser buckle)
6	Sensor (input)
7	Sensor (bin/narrow media)
8	Sensor (waste toner bottle)

**C3xxx, CS4xx, MC3xxx, CX3xx and CX4xx Series
Location**

Printed Circuit Boards >10cm² and Brominated Plastic Components

CX331, CX431, XC2326, MC3x2x Scanner



Index	Description
1a	Scanner Photo Interrupt Sensor
5	CIS bar board within Flatbed scanner assembly

Annex A – Printer components with Brominated Flame Retardants

Index	Description	Parts Marking	CS33x Cxx24 CS43x Cxx26	CX331, CX431, XC2326, MC3x2x	Location
			Qty	Qty	
1	Guide-Exit BUR Side	PET-(GF+MD)45 FR(17)	1	1	Fuser
2	Guide-Exit Belt Side	PET-(GF+MD)45 FR(17)	1	1	Fuser
3	Guide-Entry	PET-(GF+MD)45 FR(17)	1	1	Fuser
4	Housing-AC Connector	PET-(GF+MD)45 FR(17)	1	1	Fuser
5	Shield Heater AC	PET-(GF+MD)45 FR(17)	1	1	Fuser
6	Staging	N/A	1	1	Sensors
7	Printhead brominated tape	N/A	1	1	EP Components
8	Fuser Bubble	N/A	1	1	Sensors
9	Fuser Exit	N/A	1	1	Sensors
10	Bin Full	N/A	1	1	Sensors
11	Single sheet feeder	N/A	1	1	Sensors
12	TPS Sensor Asm	N/A	2	2	Electronics
13	WTB Sensor	N/A	1	1	Sensors
14	Tray present switch	N/A	1	1	Sensors
15	LSU safety interlock switch	N/A	1	1	Sensors
16	Cooling Fan	N/A	1	1	Electronics
17	Scanner Photo Interrupt Sensor	N/A	0	1	Scanner

**C3xxx, CS4xx, MC3xxx, CX3xx and CX4xx Series
Location**

Annex B – Printed Circuit Boards >10cm²

Index	Description	Quantity	Location	CS33x Cxx24	CS/CX 43x Cxx26 CX331 XC2326 MC3x2x	MC3224dwe
				Qty	Qty	Qty
1	Op Panel-2-Line	1	Electronics	X		
	Op Panel-E-Task	1	Electronics		X	X
2	Scanner CIS Bar	1	Flatbed of Scanner		X	X
3	Printhead card	1	EP Components	X	X	X
4	Printhead motor card		EP Components	X	X	X
5	Controller board	1	Electronics	X	X	X
6	LVPS	1	Electronics	X	X	X
7	HVPS	1	Electronics	X	X	X
8	BLDC Drive Motors	2	Main Drive	X	X	X
9	Wireless network card	1	Main Drive		X ¹	
10	Fuser Motor	1	Main Drive	X	X	X
11	Fax card	1	Electronics		X	

Note 1: Wireless network card applicable for CS431dw, C2326, CX431adw, XC2326 only